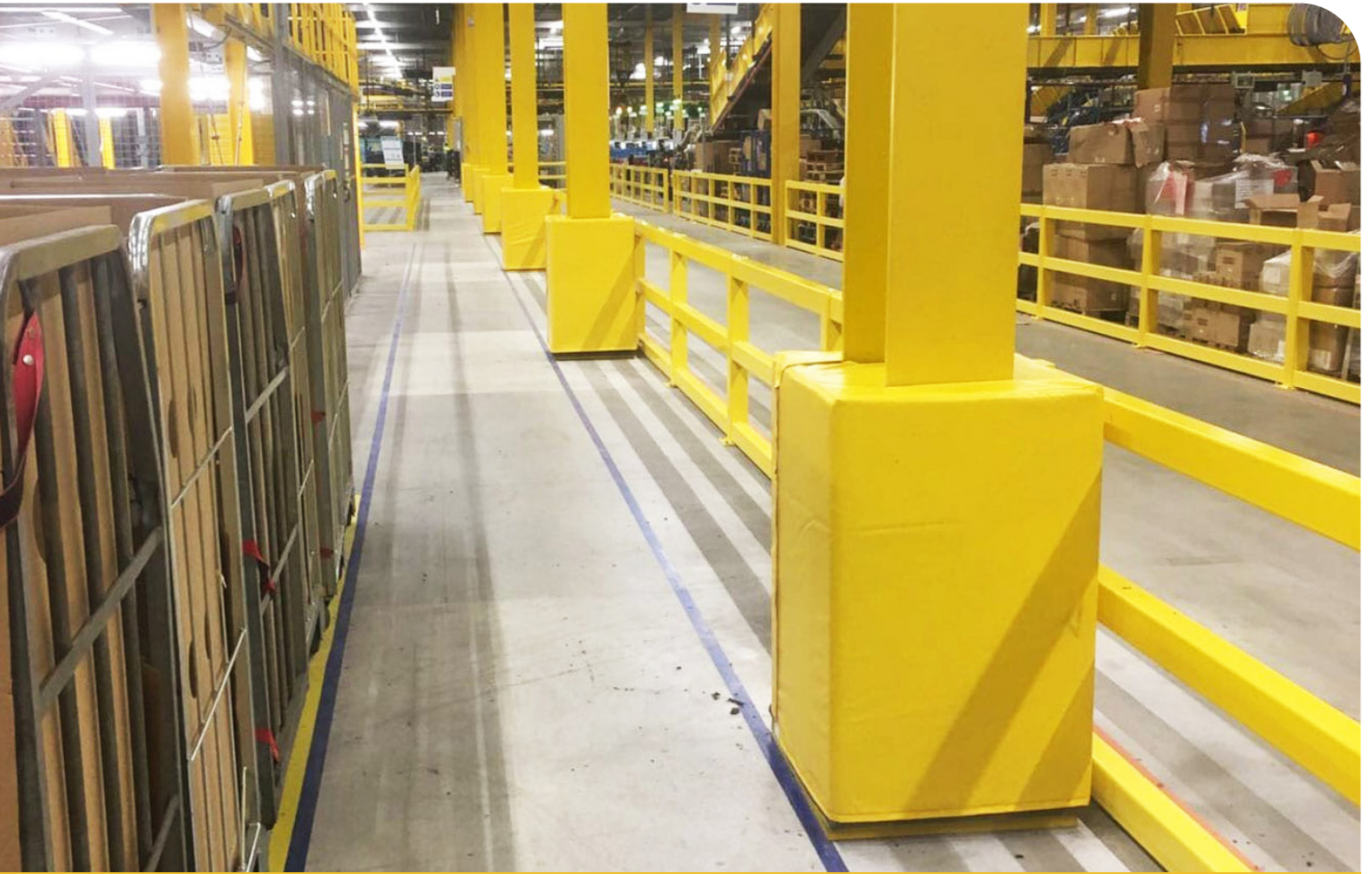


Brandsafe



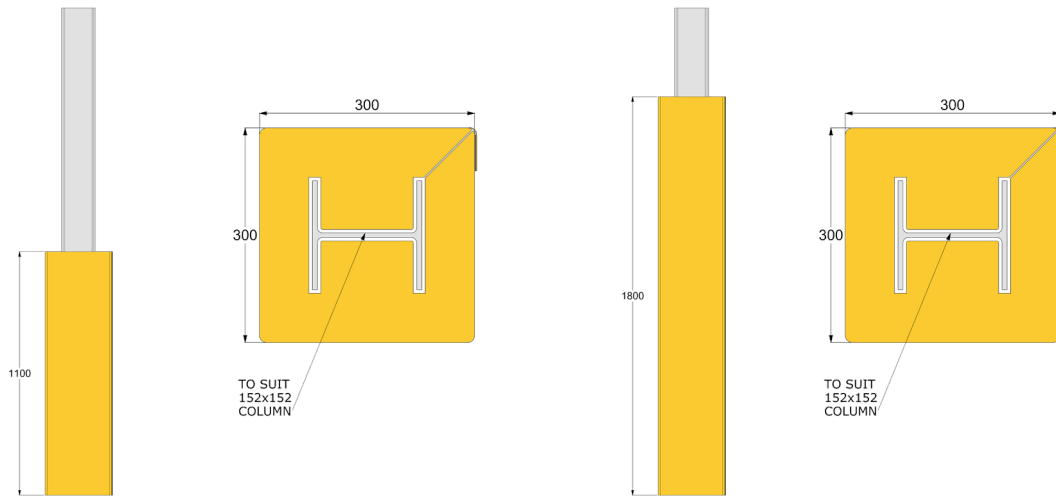
SoftWRAP i-Beam Column Protection

Eliminate the risk of personnel injury in your industrial facility with the fitment of **SoftWRAP column protection**. A high tear resistant yellow textured vinyl canvas encasing polyethylene based medium density foam cores for easy wrap-around fitment to i-Beams, secured by 50 mm Velcro seam. Typically installed at 1100 mm or 1800 mm heights.



Features and Benefits

- Ideal for protecting columns that form part of an operative production/assembly work area.
- Used in busy logistics and manufacturing facilities.
- Typically used to WRAP-around structural and mezzanine columns where they are positioned adjacent to high traffic pedestrian walkways.
- High visual and 'soft' when clashed.
- Manufactured in the UK from 'high tear resistant'.
- HGV trailer polymer canvas.
- Water and weather proof.
- Internal foam grades to suit specific applications.
- High quality industrial stitching.



Material	Canvas and polyethylene medium density foam
Height	1100 mm / 1800 mm (standard)
Width	300 mm x 300 mm (per request)
Fixings	50 mm Velcro Strip
Manufactured	UK
Colour options	Yellow as standard, other colours available upon request
Size options	To suit columns 152 mm x 152 mm or 310 mm x 310 mm