

Lamp PostWRAP Protector Kit

A 2 piece clam-shell designed Lamp Post Protector with high density foam impact cores

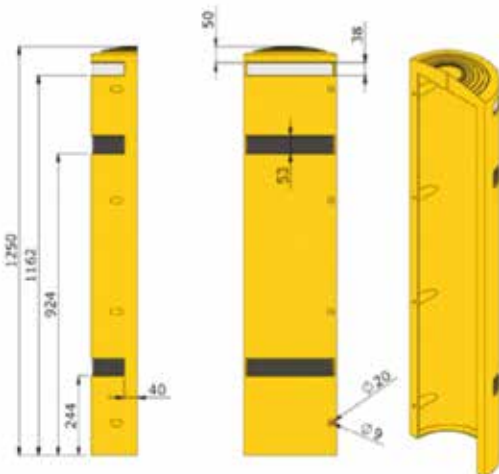


Features & Benefits



- A 2-piece clamshell design – easy to install
- The tough Polyethylene cover provides colour, visibility & a maintenance-free housing (no rust or re-paint)
- At 1250mm High (complete with Diamond Grade Reflective Bands), this protector kit will be seen by domestic vehicle drivers in all weathers day or night
- The 8 no. M8 Security Bolts make removal of half the unit for access to inspection covers a 2 minute job
- Can be used 'Double Stacked' at 2500mm high to suit HGV cab level visibility

“A radical and unique designed solution to vulnerable lamp posts that cause lots of damage to cars & huge costs of repair / replacement of lamp posts”



Technical Specification



- 1250mm High, outer diameter 285mm – max internal diameter 219mm
- Manufactured in the UK from Polyethylene
- High density impact cores – water and rot proofed
- Suits standard lamp posts 140/76mm, 168/89mm, 193/114mm & 219/140mm diameters
- Please quote lamp post base diameter & neck diameter (at 1250mm AFFL)

Part No.s

Lamp PostWRAP Protector Kit – 285mm Dia x 1250mm High (c/w Hardware, Impact Foam & Viz Bands)

- LPW-PK-YB (Yellow & Black)
- LPW-PK-RW (Red & White)
- LPW-PK-BY (Black & Yellow)
- LPW-PK-BW (Black & White)
- LPW-PK-GW (Green & White)



Pedestrian Safety

Improve Safety For Your People



HGV Safety

Protect Buildings From Impact



Fork Lift Safety

Protect Equipment From Damage



Recycle Everything