

Brandsafe

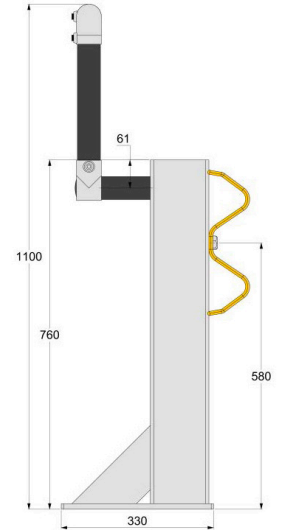
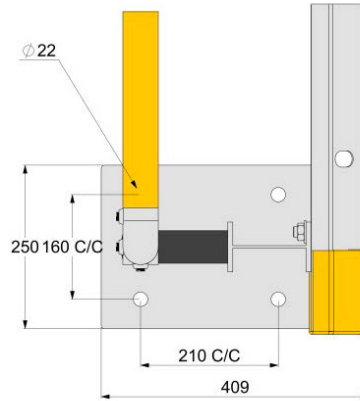
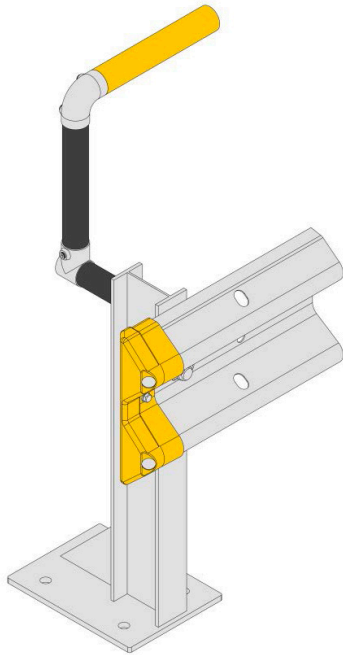
Armco 760HR Safety Barrier

760HR Armco safety barriers are a versatile solution for commercial vehicle and pedestrian protection. With the height of the Armco barrier, effective vehicle protection is provided on the access ramps where it is usually installed. The 1100 mm black and yellow pedestrian handrail provides a clearly designated walkway for employees and visitors. It is especially effective at creating separate, safe routes for HGV/Forklift traffic and pedestrians.



Features and Benefits

- 760 mm high Armco barrier with 1100 mm pedestrian handrail in black and yellow.
- Ideal protection solution for access ramps.
- Creates a convenient and safe pedestrian walkway.
- Keeps commercial traffic away from employees and visitors.
- No-trip hazard design for pedestrian routes.
- We recommend 1.6 M post centres for high impact areas and 3.2 M post centres for low impact areas.
- Should be fixed with M16/M20 thru bolts or a M16 chemical resin/stud fix.
- Can be cut to length on-site with simple chop-saw cutting process.



Material	Mild steel
Height	1100 mm / 760 mm / 595 mm to centre of barrier
Fixing holes	4 per baseplate
Colour options	Hot dip galvanised to BS EN ISO 1461
Safety reflectors	Diamond grade to all accessories
Base plate	Type B - 330 mm x 250 mm x 12 mm thick
Edge spacing	Conforms to 100 mm minimum
Footprint depth	409 mm
Centre spacing	160 mm x 210 mm (conforms to minimum of 100 mm)
Floor anchors	M16 x 150 mm galvanised thrubolts