

# Armco Safety Corner – Moulded Polymer Range

A radical product innovation to bring colour & flexibility to Armco installations NEW & OLD



EXTERNAL  
CORNER 90°



INTERNAL  
CORNER 90°



EXTERNAL  
CORNER 135°

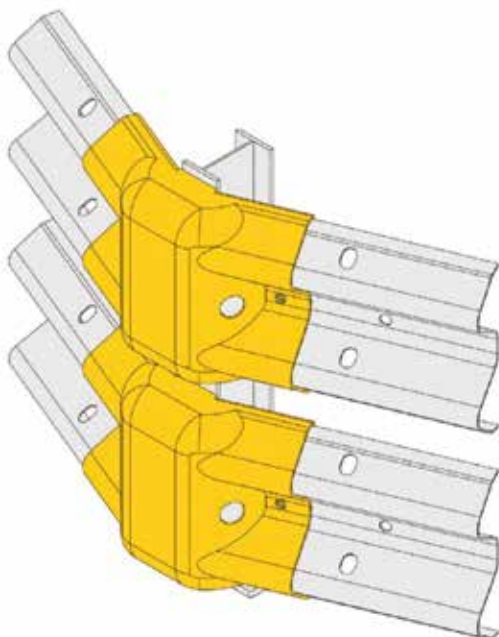


INTERNAL  
CORNER 135°

## Features & Benefits



- Supplied in Yellow for Industrial areas
- Supplied in Black for Front-of-House applications
- Can be installed on new installations with a single Armco Post – providing a massive cost saving of >35%
- A safety driven design & development to make your Armco Safety Barrier highly visible to your MHE operators, HGV & domestic vehicle drivers



## Technical Specification



- Moulded in the UK from Polyethylene
- Compatible with all manufacturers of 310x85mm Armco Rails
- Simple fitment using Armco Rail & Post pre-holed fixing points
- All units incorporate 40mm Diamond Grade Reflectors for night-time visibility

### Part No.s

#### Armco Safety Corner - Polymer Yellow

- ASC-EXT90-Y (External 90 Degree)
- ASC-INT90-Y (Internal 90 Degree)
- ASC-EXT135-Y (External 135 Degree)
- ASC-INT135-Y (Internal 135 Degree)

### Part No.s

#### Armco Safety Corner – Polymer Black

- ASC-EXT90-B (External 90 Degree)
- ASC-INT90-B (Internal 90 Degree)
- ASC-EXT135-B (External 135 Degree)
- ASC-INT135-B (Internal 135 Degree)



Pedestrian  
Safety

Improve Safety  
For Your People



HGV  
Safety

Protect Buildings  
From Impact



Protect Equipment  
From Damage



Recycle  
Everything